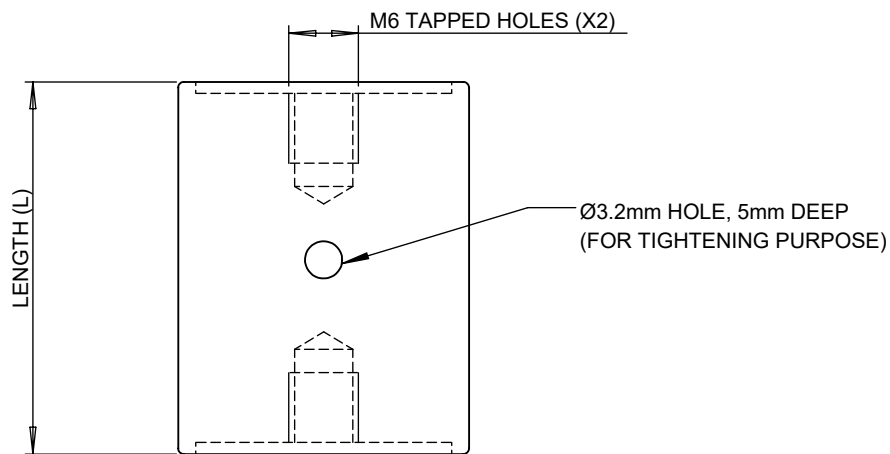
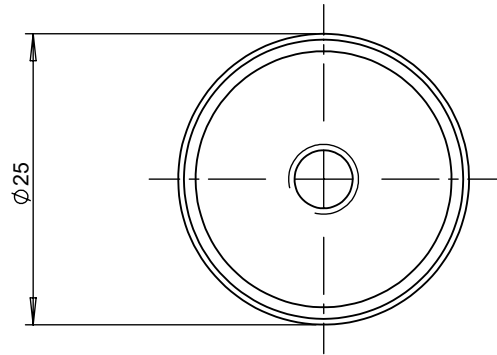


ONLY FOR INFORMATION, NOT FOR MANUFACTURING



Available Sizes	Model Number
25mm Length	OM-PLP-25
50mm Length	OM-PLP-50
75mm Length	OM-PLP-75
100mm Length	OM-PLP-100
125mm Length	OM-PLP-125

All Dimensions are in mm

DRAWN	VIJAY	SCALE	NA
CHECKED	N	REVISION	R-0
APPROVED	DRK	PAGE SIZE	A4
DATE	14-07-2021	SHEET NO.	01 OF 01

MODEL/DWG NO :

OAE-OM-PLP.SERIES



TITLE :

PILLAR POST FOR DIA 25mm

SPECIFICATIONS:

- Stainless steel alloy construction.
- Precision Turned finish.
- M6 Tapped hole for mounting @ both ends.

**Optica**

OPTICS & ALLIED ENGINEERING PVT.LTD  
 WWW.OPTICSINDIA.COM INFO@OPTICSINDIA.COM

PROPRIETARY AND CONFIDENTIAL. THE INFORMATION CONTAINED IN THIS DRAWING IS THE SOLE PROPERTY OF OPTICS & ALLIED ENGINEERING PVT.LTD. ANY PRODUCTION IN PART OR AS A WHOLE WITHOUT THE WRITTEN PERMISSION OF OPTICS & ALLIED ENGINEERING. IS STRICTLY PROHIBITED.