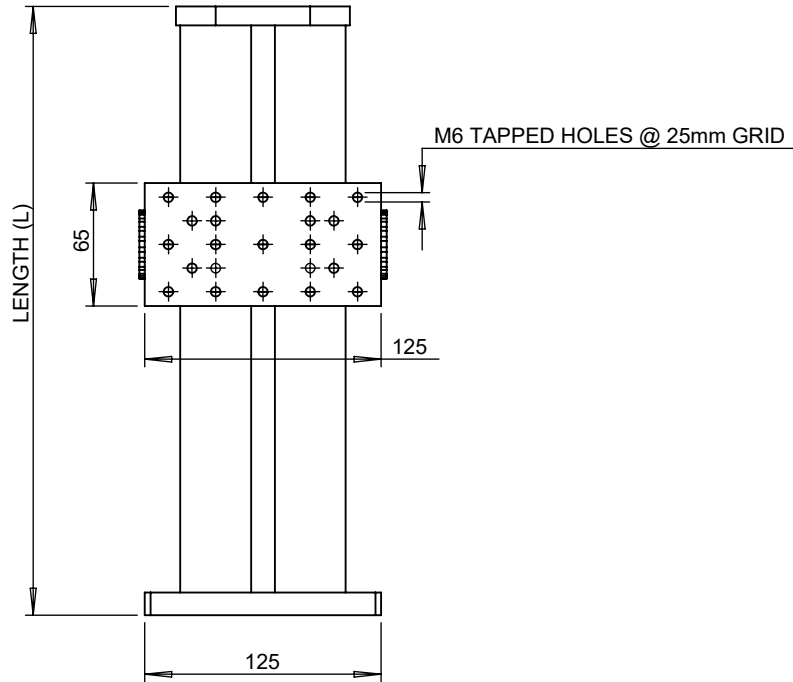
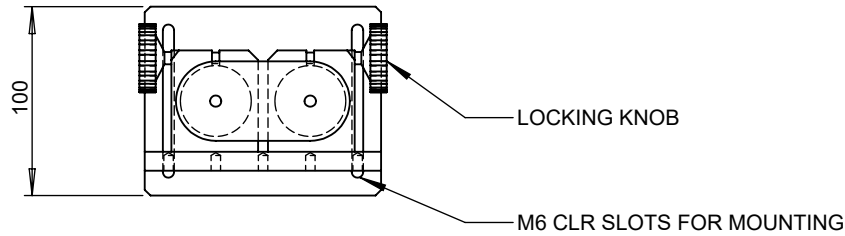


ONLY FOR INFORMATION, NOT FOR MANUFACTURING



Available Sizes	Model Number
200mm Length	OM-DRP-200
300mm Length	OM-DRP-300
400mm Length	OM-DRP-400
500mm Length	OM-DRP-500
600mm Length	OM-DRP-600

All Dimensions are in mm

DRAWN	VIJAY	SCALE	NA
CHECKED	N	REVISION	R-0
APPROVED	DRK	PAGE SIZE	A4
DATE	14-07-2021	SHEET NO.	01 OF 01

MODEL/DWG NO :

OAE-OM-DRP.SERIES



TITLE :

DUAL ROD POST ASSEMBLY

SPECIFICATIONS :

- Aluminium alloy and Stainless steel construction.
- Black Anodised finish and precision turned finish for SS rods.
- Clamp with Locking knobs.
- Carriage with mounting M6 tapped holes at 25mm grid.
- 25mm pipes are filled with epoxy mixture for having vibration damping properties.

**Optica**

OPTICS & ALLIED ENGINEERING PVT.LTD  
 WWW.OPTICSINDIA.COM INFO@OPTICSINDIA.COM

PROPRIETARY AND CONFIDENTIAL. THE INFORMATION CONTAINED IN THIS DRAWING IS THE SOLE PROPERTY OF OPTICS & ALLIED ENGINEERING PVT.LTD. ANY PRODUCTION IN PART OR AS A WHOLE WITHOUT THE WRITTEN PERMISSION OF OPTICS & ALLIED ENGINEERING. IS STRICTLY PROHIBITED.