



DATA SHEET

Lens Part No : OPLLC0136

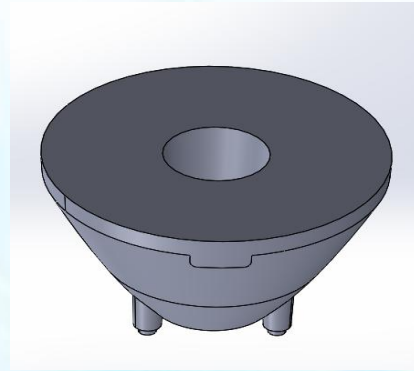
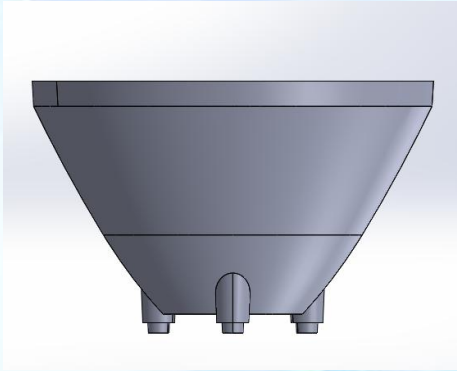
LED: LUMILED LUXEON 5050





Contents

1. Lens Details, Usage & Maintenance
2. LED Source Details
3. Simulation Tool Details
4. Plots and Results
5. Lens Drawing And Package Specification
6. Contact Details



Lens Details, Usage & Maintenance

SL.No	Parameter	Specification
1.	Lens Material	PMMA
2.	Lens Dimensions (D × H)	35.19 X 22.01 mm
3.	Operating Temperature (T_{Opt})	-40 to +70° C
4.	Lighting Application	Down Light

1. If necessary, clean Lenses with mild soap, water and soft cloth.
2. Never use any commercial cleaning solvents on Lenses, like alcohol.
3. Please handle or install Lenses with wearing gloves, skin oil may damage Lens or its Optical Characteristic.

Note: Simulation carried out by coupling single Downlight lens with LUMILED LUXEON 5050 LED.

LED Source Details

SL.No	Parameter	Specification
1.	Lamp	LUXEON 5050
2.	LED Manufacture	LUMILED
3.	LED Forward Current	640 mA
4.	LED Forward Voltage	6.1 V
5.	LED Viewing Angle	116 ⁰
6.	Number of Sources	1
7.	Simulation Tool	Trace-Pro

Simulation Tool : Trace-Pro

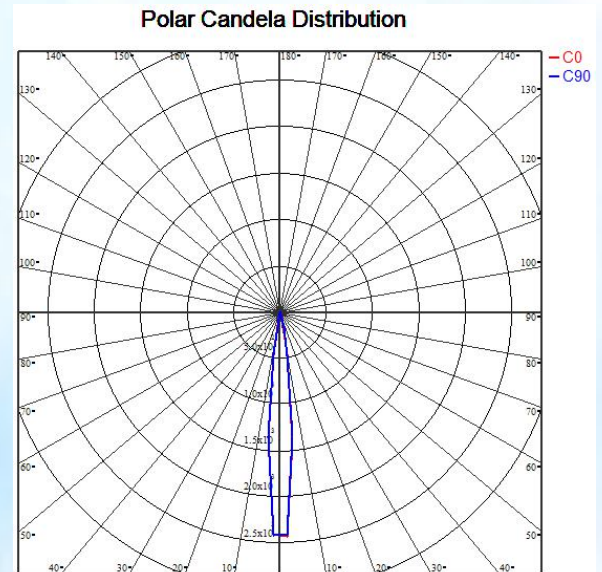
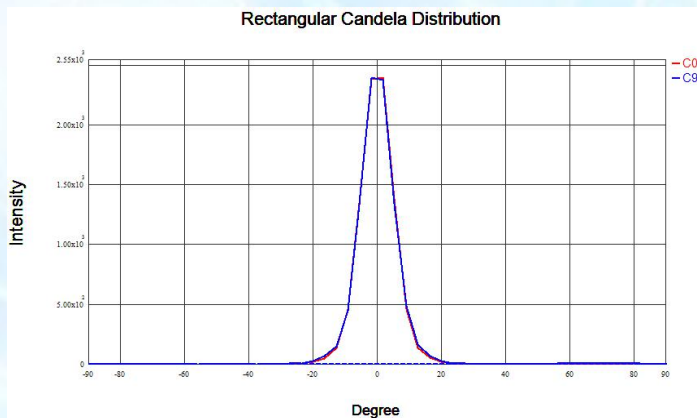
Trace-Pro is Award-Winning Opto-Mechanical software developed by ‘Lamda Research Corporation’USA, under SBIR grant from NASA.

It combines design, ray tracing, analysis, optimization methods to solve a wide variety of new problems in illumination design.

It provides advanced tools for designing medical devices, illumination, display back lights, light pipes, automotive lighting and many other applications.

Plots and Results

Intensity Distribution Plots:



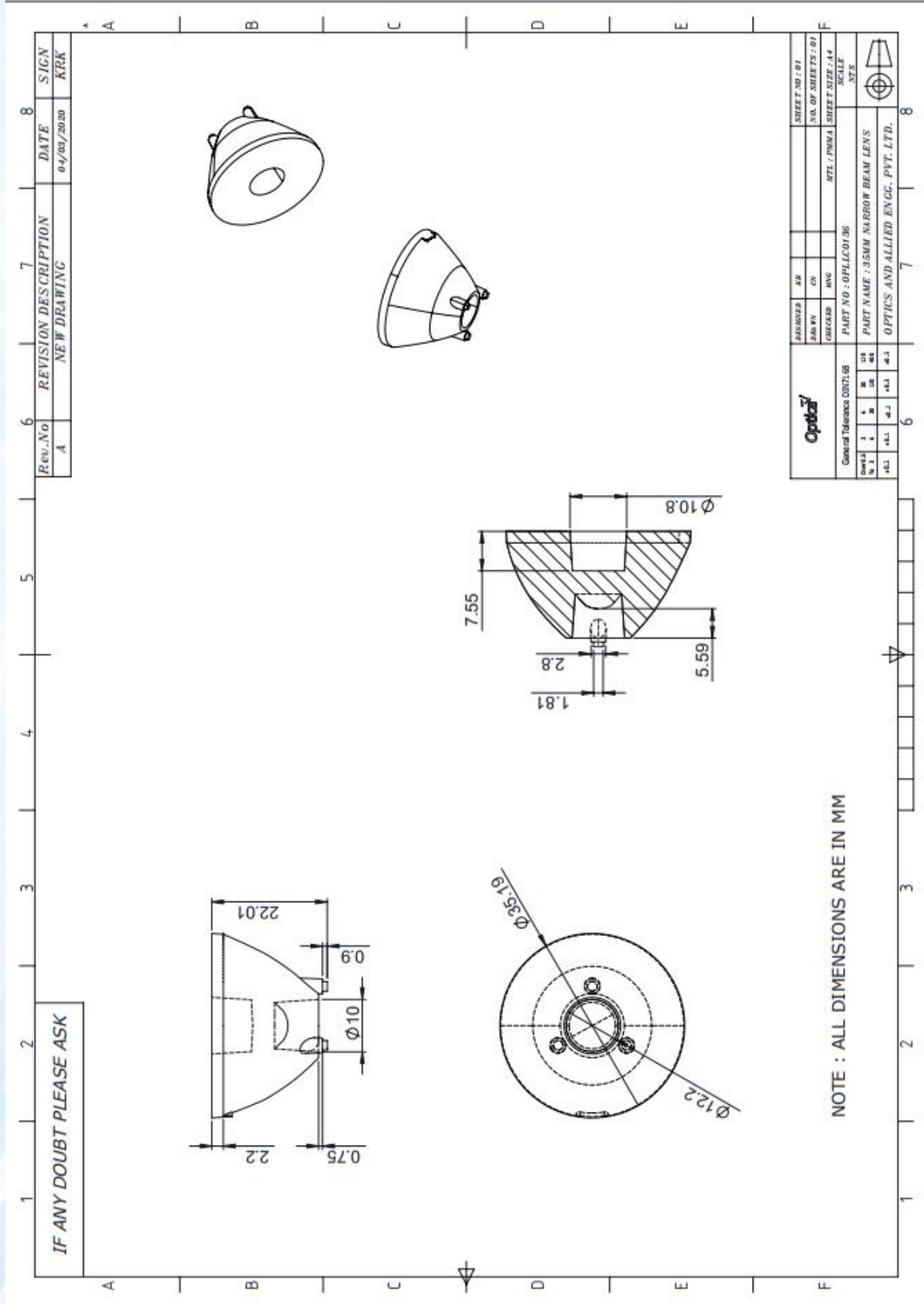
S. No	Parameter	Beam Angle
1.	FWHM Angle	11.4
2.	FWTM Angle	22.2
3.	Efficiency	90.8%
4.	cd/lm	17

Note:

FWHM angle -Full Width Half Maximum angle (Beam angle at 50% of the maximum Intensity)

FWTM angle - Full Width Tenth Maximum angle (Beam angle at 10% of the maximum Intensity)

Lens Drawing:



IF ANY DOUBT PLEASE ASK

NOTE : ALL DIMENSIONS ARE IN MM

Rev.No	REVISION DESCRIPTION	DATE	SIGN
A	NEW DRAWING	04/03/2020	KRK

DESIGNED BY	CHK	DATE	SHEET NO. OF
DRAWN BY	CV		NO. OF SHEETS : 01
CHECKED BY	AVG		SHEET SIZE : A4
			SCALE
			NTS
PART NO : OPLLC0136			
PART NAME : 55MM NARROW BEAM LENS			
OPTICS AND ALLIED ENGG. PVT. LTD.			

“We Are Ready To Lead You Into The Future Of Optics”

- ❖ Our Components of high efficiency, are easy to mount and compact in size.
- ❖ Any flow lines on the external surface of the lens are acceptable if the optical characteristics are not affected.
- ❖ We are incredibly responsive to your requests and value your questions.



GET IN TOUCH WITH US

Optics & Allied Engg. Pvt. Ltd.
No. 9Q, 1st Phase, Jigani Link Road,
Bommasandra Industrial Area, Bangalore-560099,
INDIA
Tel: +91-80-4113 4421
Email: sales@opticsindia.com