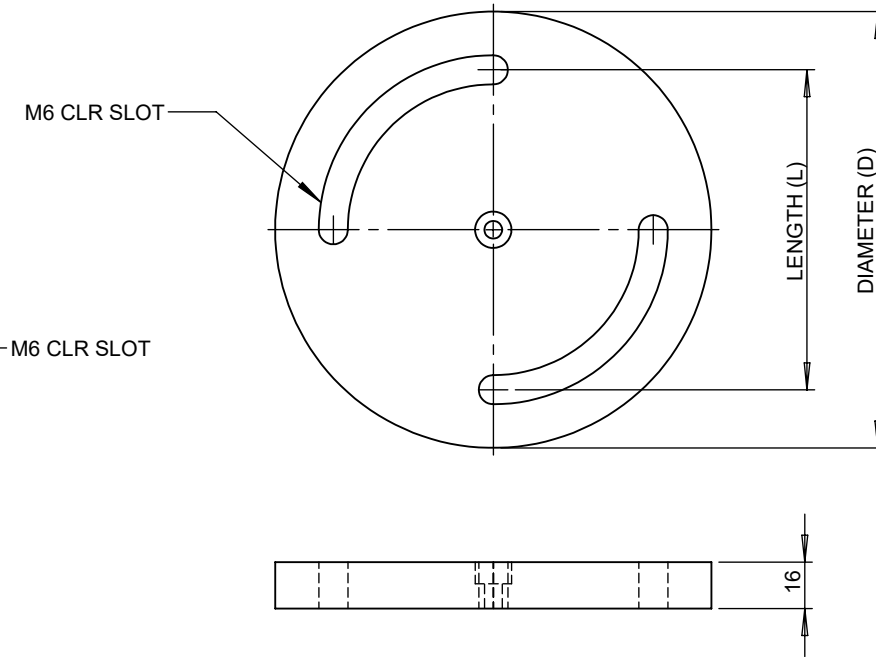
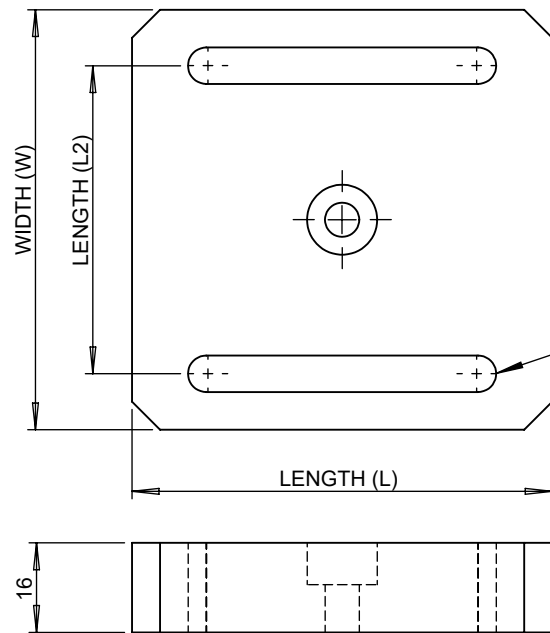


ONLY FOR INFORMATION, NOT FOR MANUFACTURING

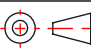


Available Sizes (LxWxT)	Length (L2)	Model Number
75X75X16 (Single Channel)	55mm	OM-DPB-75

Available Sizes	Length (L)	Model Number
Ø75 (Single Channel)	50 mm	OM-DPB-75R

All Dimensions are in mm

DRAWN	VIJAY	SCALE	NA
CHECKED	N	REVISION	R-0
APPROVED	DRK	PAGE SIZE	A4
DATE	14-07-2021	SHEET NO.	01 OF 01

MODEL/DWG NO : OAE-OM-DPB.SERIES 

TITLE : DAMPED HEAVY DUTY POST BASE



OPTICS & ALLIED ENGINEERING PVT.LTD
 WWW.OPTICSINDIA.COM INFO@OPTICSINDIA.COM

PROPRIETARY AND CONFIDENTIAL. THE INFORMATION CONTAINED IN THIS DRAWING IS THE SOLE PROPERTY OF OPTICS & ALLIED ENGINEERING PVT.LTD. ANY PRODUCTION IN PART OR AS A WHOLE WITHOUT THE WRITTEN PERMISSION OF OPTICS & ALLIED ENGINEERING. IS STRICTLY PROHIBITED.

SPECIFICATIONS :

- Aluminum alloy construction.
- 16mm thick plate.
- M6 CLR Slot for mounting to Optical Breadboards.
- Black anodized finish.