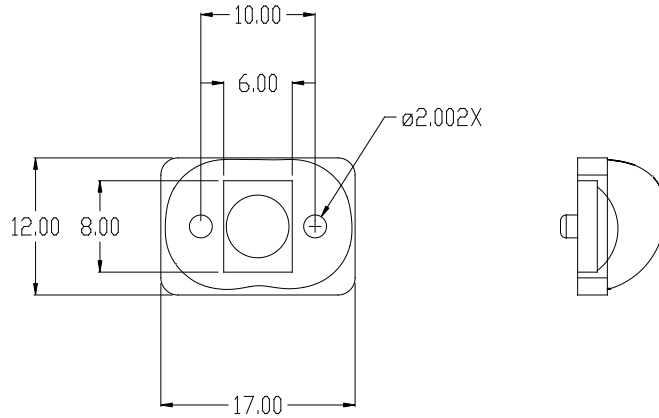
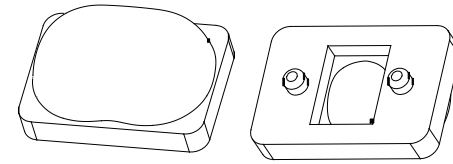
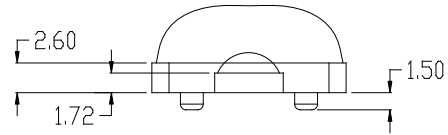


IF ANY DOUBT PLEASE ASK

Rev.No	REVISION DESCRIPTION	DATE	SIGN
A	NEW DRAWING	11/07/2016	KRK



OPLLS0081: Material PC
OPLLS0083: Material PMMA

NOTE:
ALL DIMENSIONS ARE IN MM.
PERMISSIBLE FLASH ≥ 0.05 MM.
SHRINKAGE FACTORE 0.6MM.
PART SHOULD BE FREE FROM
MOULDING DEFECTS.

	DESIGNED	NN		SHEET NO : 01
	DRAWN	BKS		NO. of SHEETS : 01
	CHECKED	KRK	MTL:-PC / PMMA	SHEET SIZE : A4
General Tolerance DIN7168		PART NO: OPLLS0081/83		SCALE NTS
Over 0.5 To 3	0 0	30 120	120 400	PART NAME: Capsule 5
± 0.1	± 0.1	± 0.2	± 0.3	± 0.5
OPTICS AND ALLIED ENGG. PVT .LTD				