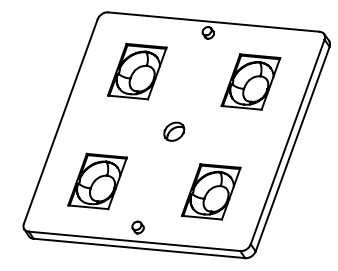
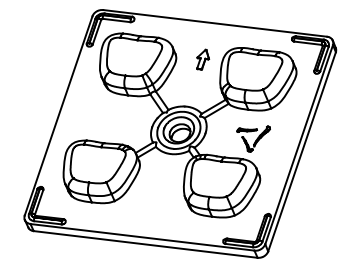
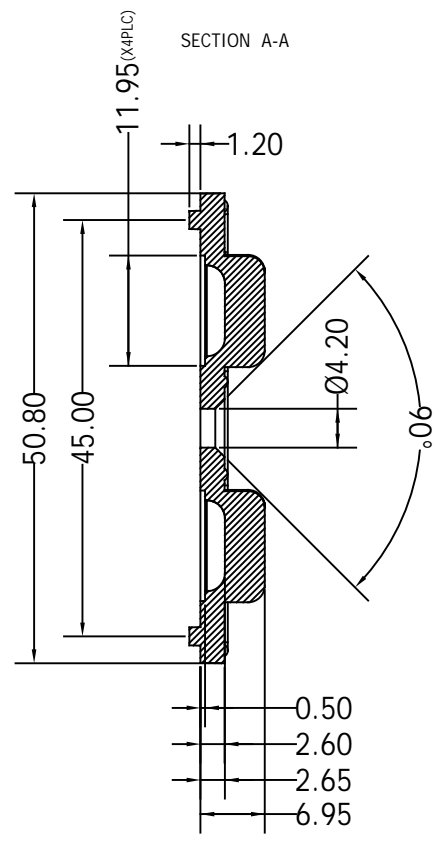
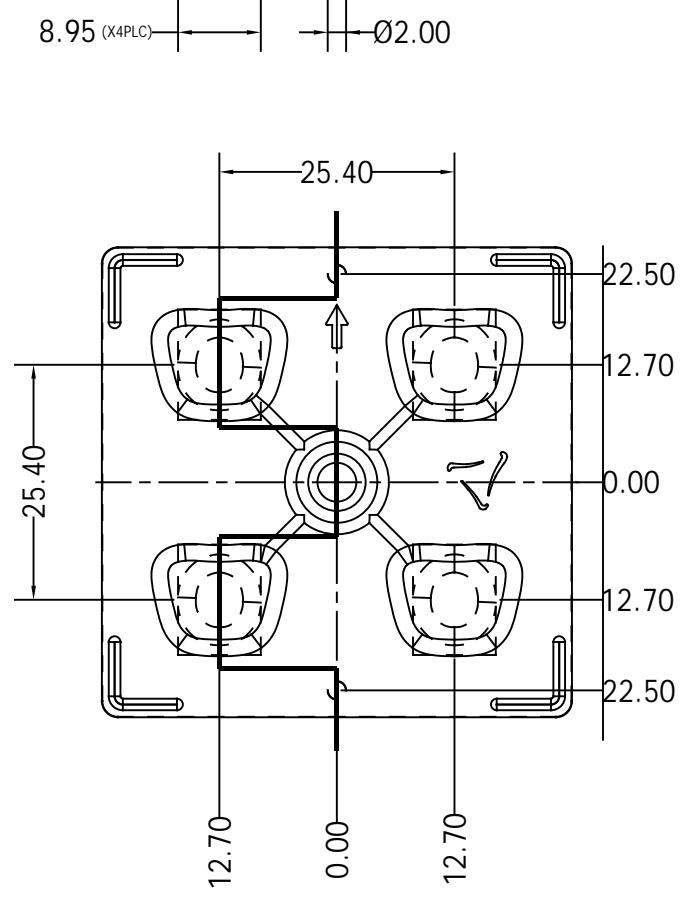
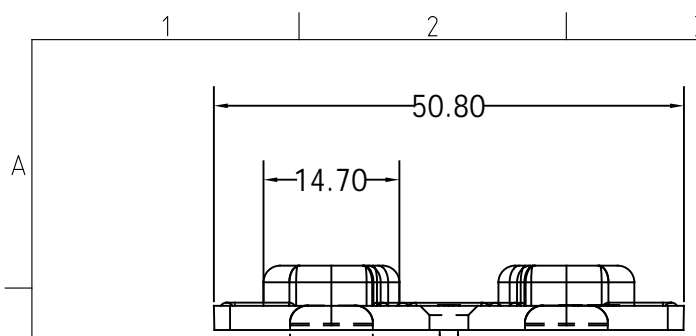


Rev.No	REVISION DESCRIPTION	DATE	SIGN
A	NEW DRAWING	17/05/2018	KRK



Note: All Dimensions are in mm

PART NAME : 4IN1 Rev01		ALL DIMENSIONS ARE IN MM. GENERAL TOLERANCES ±0.05 UNLESS OTHERWISE SPECIFIED.		PROPRIETARY AND CONFIDENTIAL THE INFORMATION CONTAINED IN THIS DRAWING IS THE SOLE PROPERTY OF OPTICA	
PART NO : OPLLS0108C		▽B-25, ▽ 1.6-8, ▽▽ 0.025-1.6, ▽▽▽ <0.025 DEBUR AND BREAK SHARP EDGES. DO NOT SCALE THIS DRAWING. IF IN DOUBT, PLEASE ASK.		ANY REPRODUCTION IN PART OR AS A WHOLE WITHOUT THE WRITTEN PERMISSION OF OPTICA, IS STRICTLY PROHIBITED.....!!!	
MATERIAL : PC		SCALE	NTS	MODEL/DWG NO:	
LENS FINISH : Optical		CHK'D	MNG	OPLLS0108 C	
FINISH : Lens		APP'VD	KRK	PAGE SIZE	A4
COATING : NA		DATE	17.05.2018	PAGE NO	01 OF 01
TEXTURE : VDI 26		NOTE *		TITLE:	
				FORM 20 4IN1 LENS PLATE 5050	