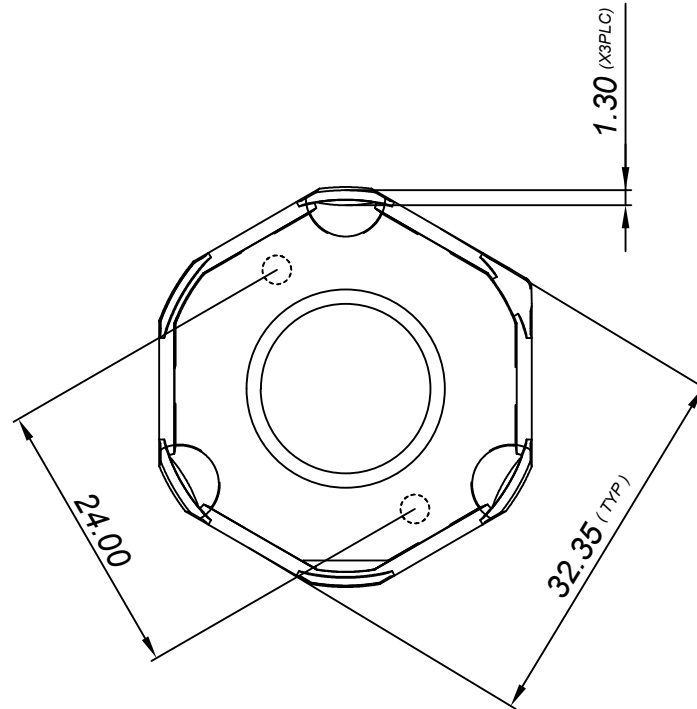
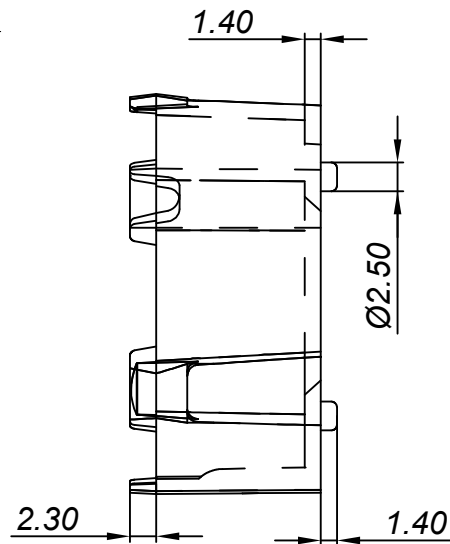
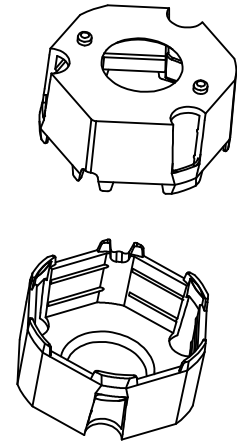
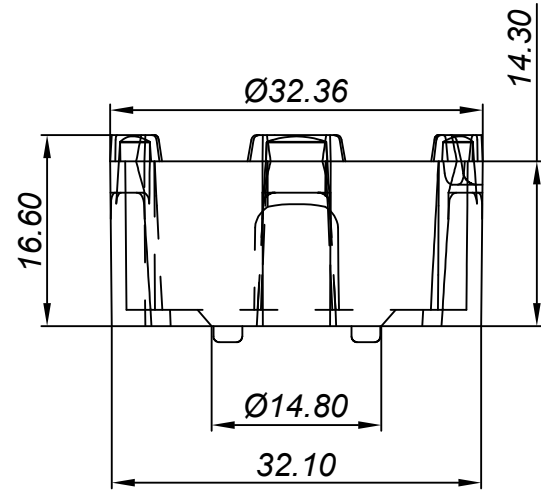


IF ANY DOUBT PLEASE ASK

Rev.No	REVISION DESCRIPTION	DATE	SIGN
A	NEW DRAWING	29/03/2016	KRK



	DESIGNED	NN		SHEET NO : 01
	DRAWN	BKS		No. of SHEETS : 01
	CHECKED	KRK	MTL--PC CLEAR	SHEET SIZE : A4
General Tolerance DIN7168		PART NO:OPLH0068		SCALE NTS
Over 0.5 To 3	3 6	6 30	30 120	120 400
±0.1	±0.1	±0.2	±0.3	±0.5
		PART NAME:HOLDER		
OPTICS AND ALLIED ENGG. PVT .LTD				