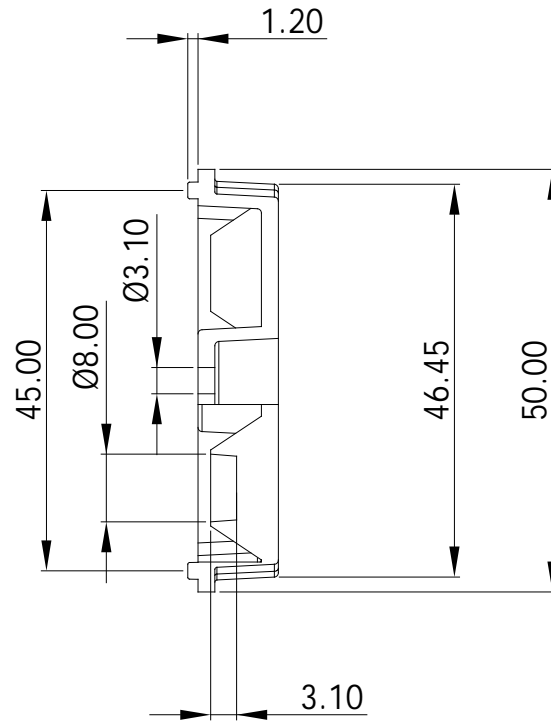
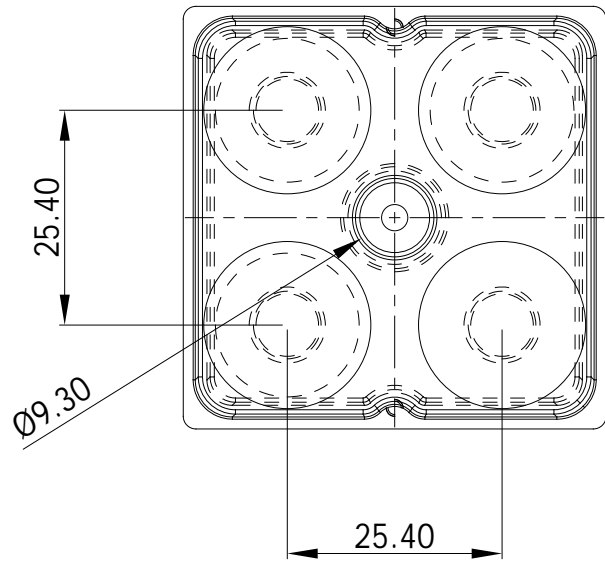
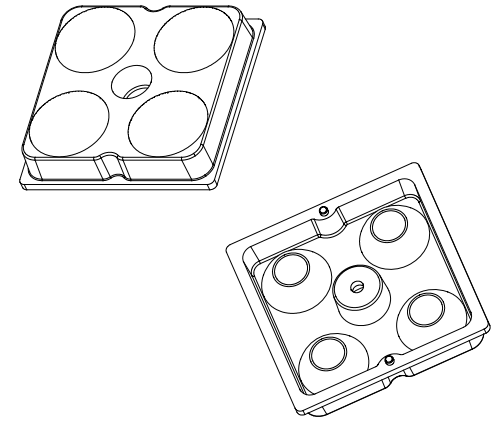
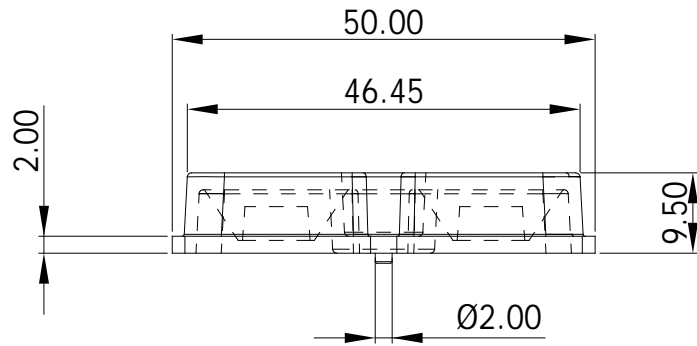


| Rev.No | REVISION DESCRIPTION | DATE       | SIGN |
|--------|----------------------|------------|------|
| A      | NEW DRAWING          | 29/04/2017 | KRK  |



|   |          |                                  |           |                    |
|---|----------|----------------------------------|-----------|--------------------|
|   | DESIGNED | NN                               |           | SHEET NO. : 01     |
|   | DRAWN    | NN                               |           | No. of SHEETS : 01 |
|   | CHECKED  | KRK                              | MTL:-PC   | SHEET SIZE : A4    |
| General Tolerance DIN7168                         |          | PART NO: OPLL0086                |           | SCALE 1:1          |
| Over 0.5<br>To 3                                  | 3<br>6   | 6<br>30                          | 30<br>120 | 120<br>400         |
| ±0.1  | ±0.1     | ±0.2                             | ±0.3      | ±0.5               |
| PART NAME: 4IN1 FLOOD LIGHT LENS5050 LED (37 Deg) |          | OPTICS AND ALLIED ENGG. PVT .LTD |           |                    |

