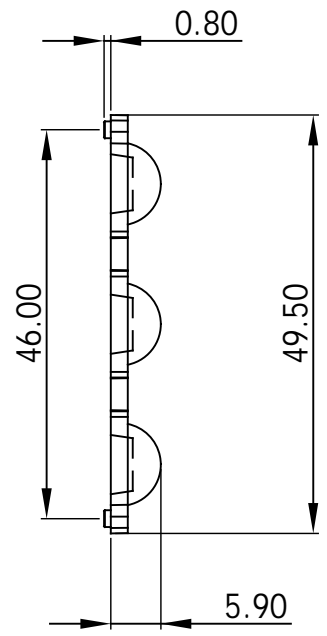
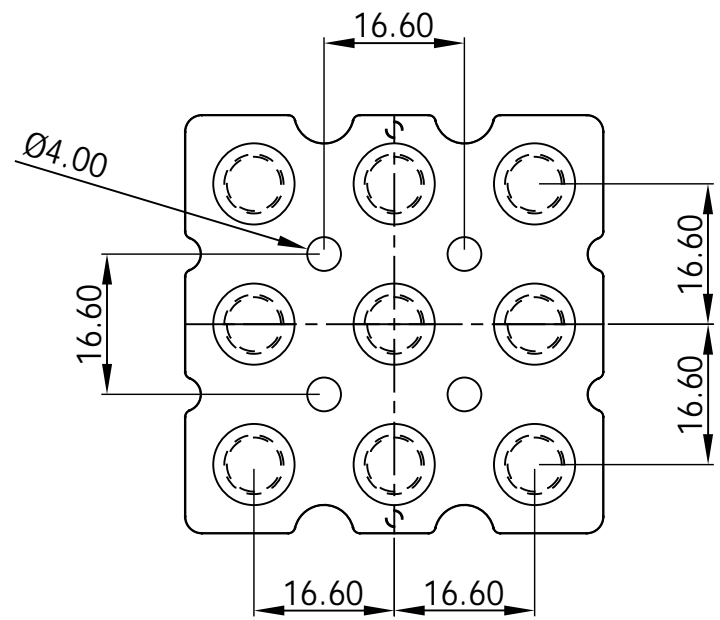
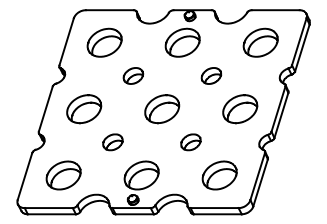
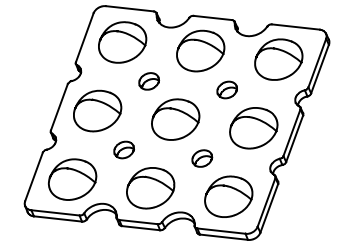
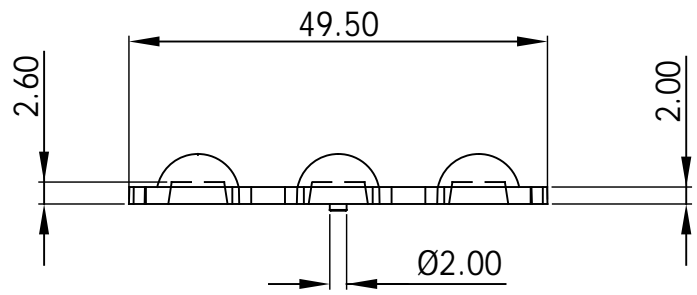


Rev.No	REVISION DESCRIPTION	DATE	SIGN
A	NEW DRAWING	29/04/2017	KRK



	DESIGNED	NN		SHEET NO. : 01
	DRAWN	NN		No. of SHEETS : 01
	CHECKED	KRK	MTL:-PC	SHEET SIZE : A4
General Tolerance DIN7168		PART NO: OPLLF0085		SCALE 1:1
Over 0.5 To 3	3 6	6 30	30 120	120 400
±0.1	±0.1	±0.2	±0.3	±0.5
		PART NAME: 9IN1 FLOOD LIGHT LENS 3535 LED(45 Deg)		
		OPTICS AND ALLIED ENGG. PVT .LTD		