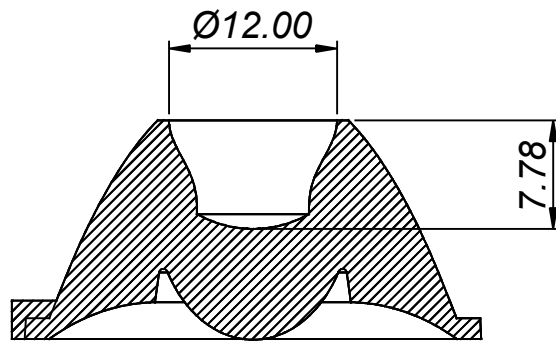
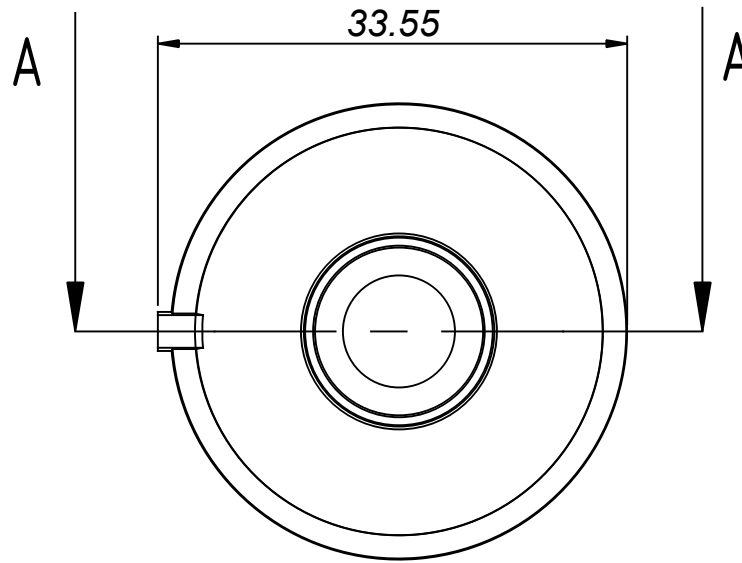
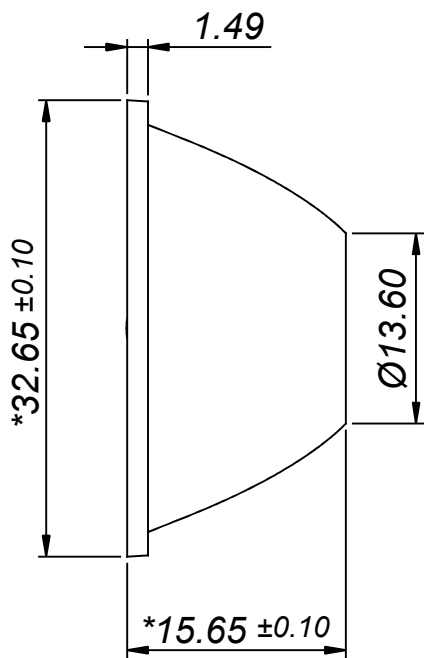
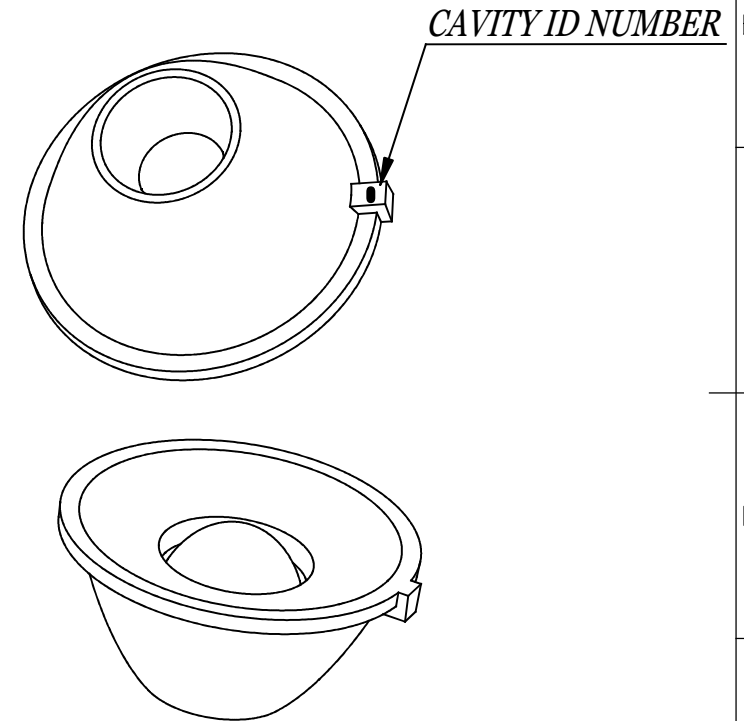


Rev.No	REVISION DESCRIPTION	DATE	SIGN
A	NEW DRAWING	28/01/16	KRK



For Reference Only



Note:
 * control plan dimension
 *Maximum flash ≤ 0.05mm
 CAVITY ID 17 TO 24
 All Dimensions are in MM

SECTION A-A

	DESIGNED	NN			SHEET NO : 06
	DRAWN	NN			No. of SHEETS : 06/34
	CHECKED	KRK		MTL:- PLEXIGLAS-8N	SHEET SIZE : A4
General Tolerance DIN7168		PART NO: OPLLC0067			SCALE NTS
Over 0.5 To 3	3 6	6 30	30 120	120 400	PART NAME: LENS67
±0.1	±0.1	±0.2	±0.3	±0.5	OPTICS AND ALLIED ENGG. PVT .LTD

