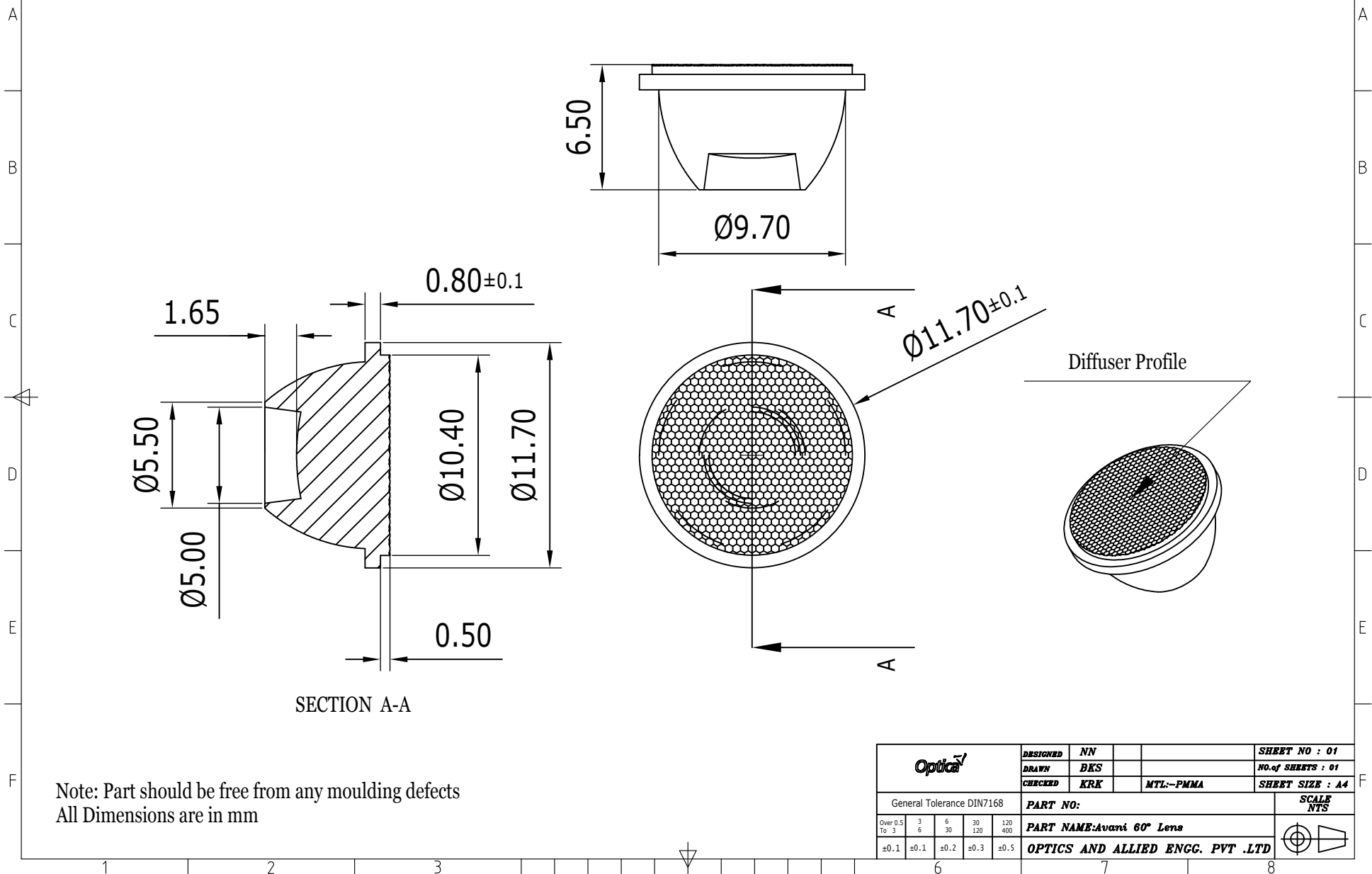


IF IN DOUBT PLEASE ASK

| Rev.No | REVISION DESCRIPTION | DATE        | SIGN |
|--------|----------------------|-------------|------|
| A      | NEW DRAWING          | 17/Feb/2016 | KRK  |



SECTION A-A

Note: Part should be free from any moulding defects  
All Dimensions are in mm

|                                  |          |      |      |           |                    |
|----------------------------------|----------|------|------|-----------|--------------------|
|                                  | DESIGNED | NN   |      |           | SHEET NO : 01      |
|                                  | DRAWN    | BKS  |      |           | NO. of SHEETS : 01 |
|                                  | CHECKED  | KRK  |      | MTL:-PMMA | SHEET SIZE : A4    |
| General Tolerance DIN7168        |          |      |      | PART NO:  | SCALE              |
| Over 0.5                         | 3        | 6    | 30   | 120       |                    |
| To 3                             | 6        | 30   | 120  | 400       |                    |
| ±0.1                             | ±0.1     | ±0.2 | ±0.3 | ±0.5      |                    |
| PART NAME: Avanti 60° Lens       |          |      |      |           |                    |
| OPTICS AND ALLIED ENGG. PVT .LTD |          |      |      |           |                    |