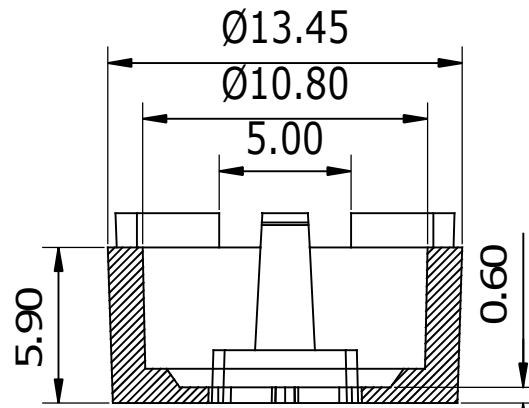
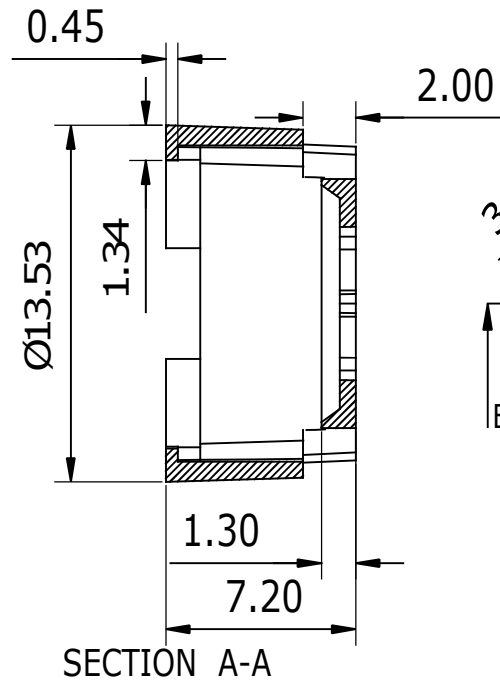


IF IN DOUBT PLEASE ASK

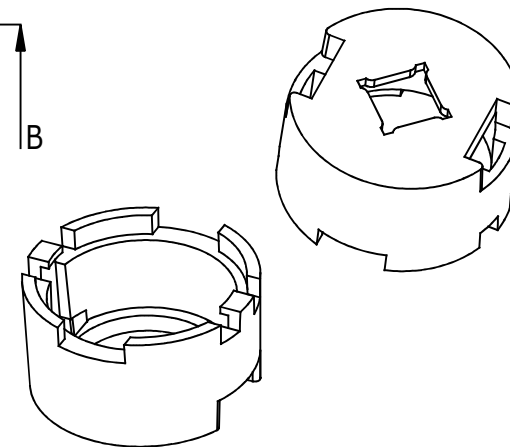
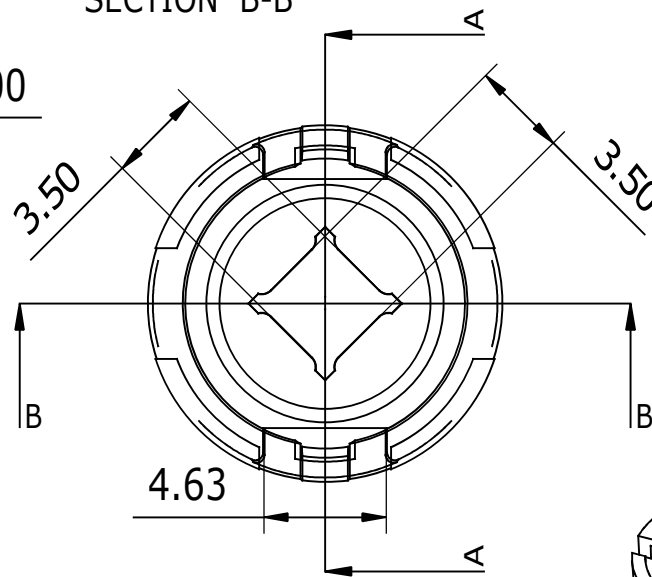
Rev.No	REVISION DESCRIPTION	DATE	SIGN
A	NEW DRAWING	17/Feb/2016	KRK



SECTION B-B



SECTION A-A



Note: Part should be free from any moulding defects
All Dimensions are in mm

	DESIGNED	NN		SHEET NO : 01
	DRAWN	BKS		No. of SHEETS : 01
	CHECKED	KRK	MTL--ABS	SHEET SIZE : A4
General Tolerance DIN7168		PART NO:		SCALE
Over 0.5	3	6	30	120
To 3	6	30	120	400
±0.1	±0.1	±0.2	±0.3	±0.5
PART NAME: Avar 60° Lens Holder-3535				
OPTICS AND ALLIED ENGG. PVT .LTD				