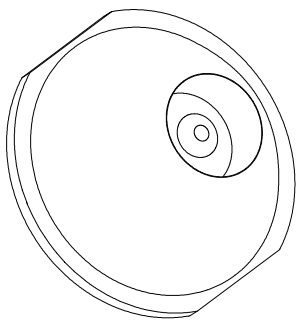
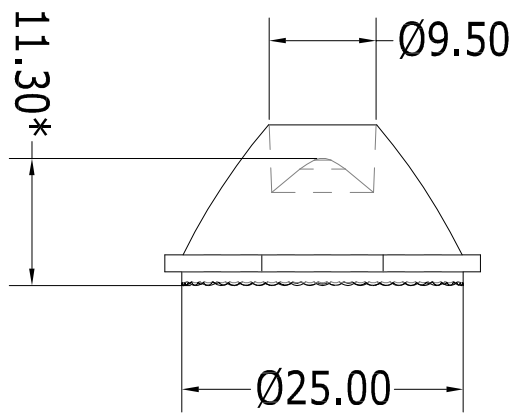
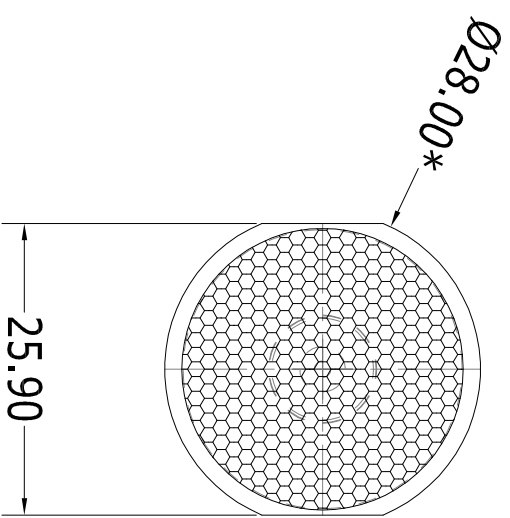
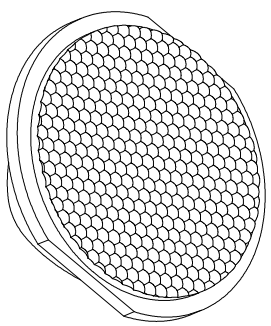
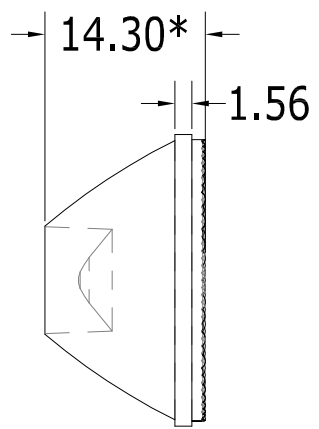


Rev. No	REVISION DESCRIPTION	DATE	SIGN
A	NEW DRAWING	04/05/2013	DRK



Optical		DESIGNED	N/V		SHEET NO. : 01
		DRAWN	N/V		NO. OF SHEETS : 01
		CHECKED	DRK		SHEET SIZE : A4
		PART NO.:			SCALE
		PART NAME: OVER DRIVE 36°			1/1
		OPTICS AND ALLIED ENGG. PVT. LTD			
General Tolerance DIN7168					
0.1	0.1	0.2	0.3	0.5	
0.1	0.1	0.2	0.3	0.5	
0.1	0.1	0.2	0.3	0.5	