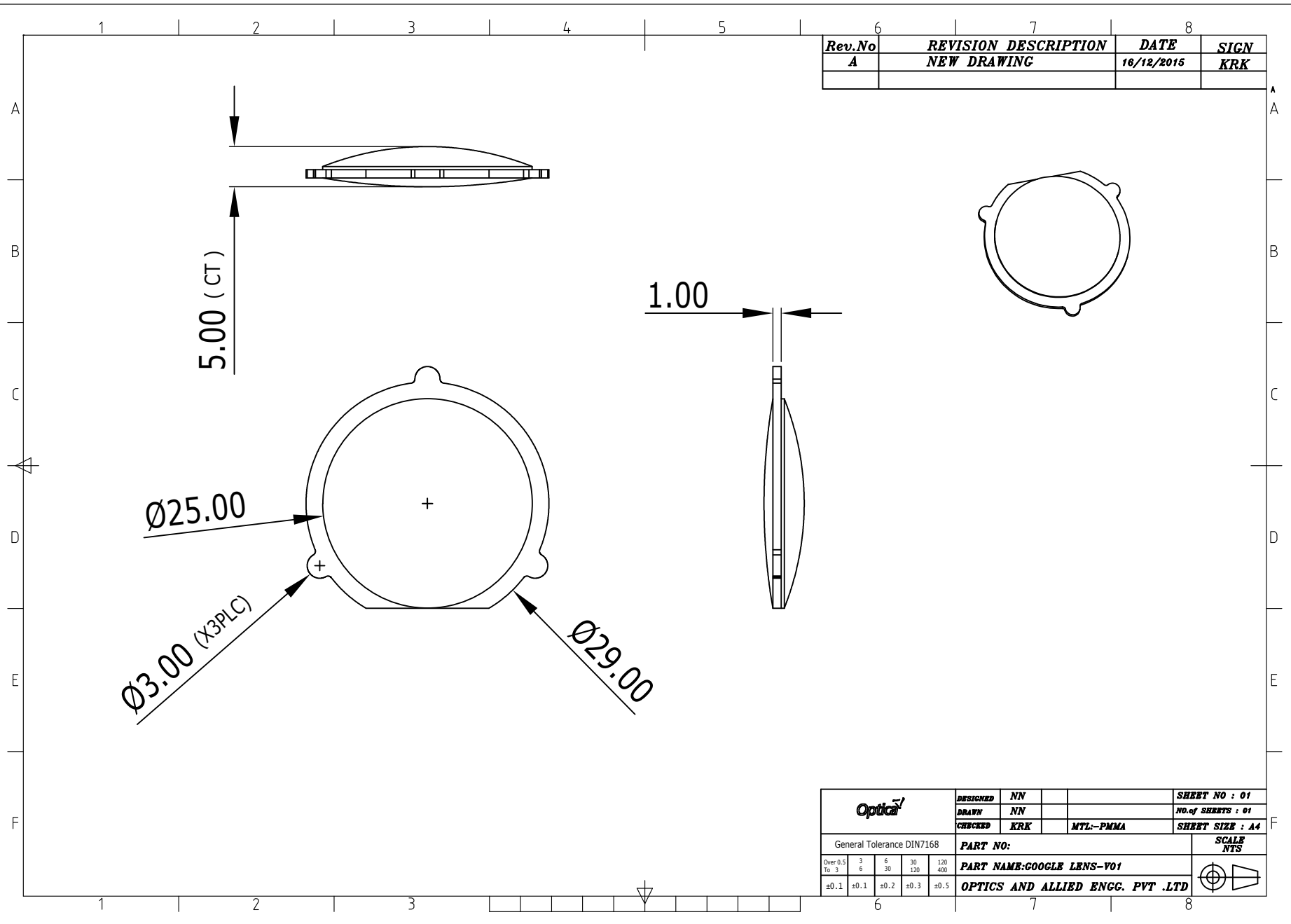


Rev.No	REVISION DESCRIPTION	DATE	SIGN
A	NEW DRAWING	16/12/2015	KRK



	DESIGNED	NN		SHEET NO : 01										
	DRAWN	NN		No. of SHEETS : 01										
	CHECKED	KRK	MTL-PMMA	SHEET SIZE : A4										
General Tolerance DIN7168				PART NO:										
<table border="1"> <tr> <td>Over 0.5</td> <td>3</td> <td>6</td> <td>30</td> <td>120</td> </tr> <tr> <td>To 3</td> <td>6</td> <td>30</td> <td>120</td> <td>400</td> </tr> </table>				Over 0.5	3	6	30	120	To 3	6	30	120	400	SCALE
Over 0.5	3	6	30	120										
To 3	6	30	120	400										
<table border="1"> <tr> <td>± 0.1</td> <td>± 0.1</td> <td>± 0.2</td> <td>± 0.3</td> <td>± 0.5</td> </tr> </table>				± 0.1	± 0.1	± 0.2	± 0.3	± 0.5	NTS					
± 0.1	± 0.1	± 0.2	± 0.3	± 0.5										
PART NAME:GOOGLE LENS-V01														
OPTICS AND ALLIED ENGG. PVT .LTD														