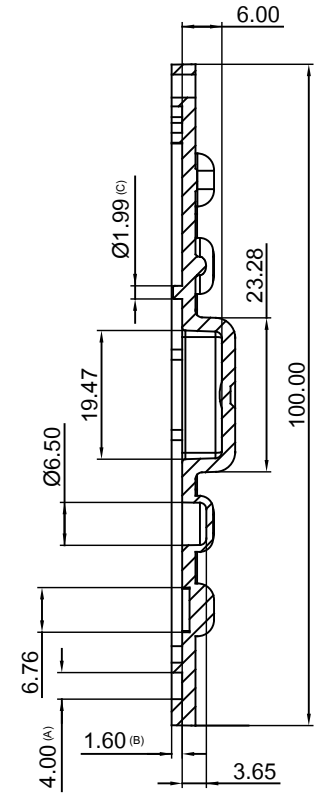
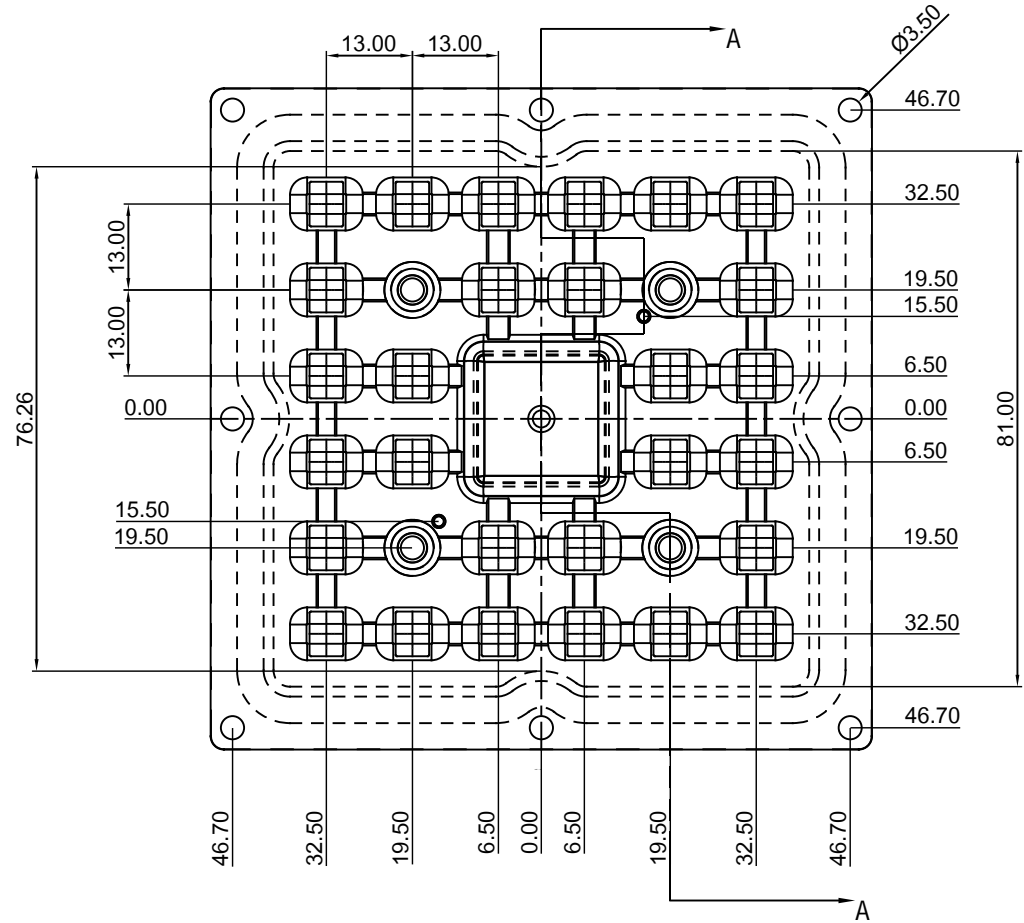
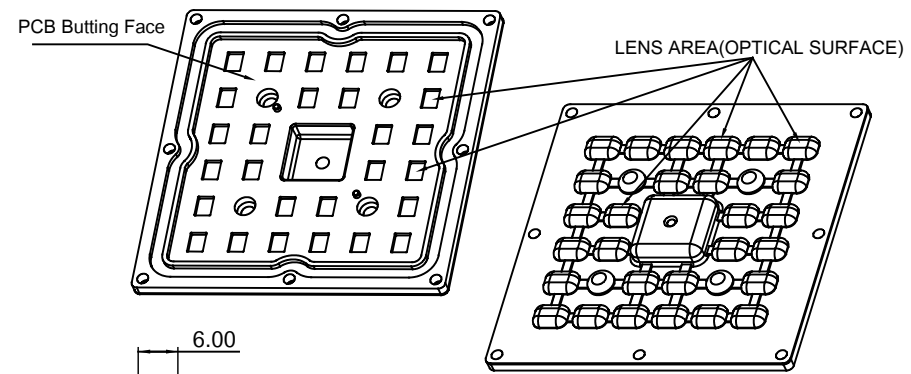
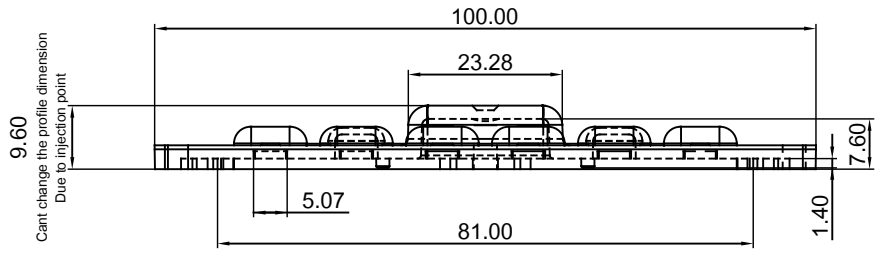


IF ANY DOUBT PLEASE ASK

Rev.No	REVISION DESCRIPTION	DATE	SIGN
A	NEW DRAWING	04/03/2017	KRK



NOTE:  
 A - Gasket Width  
 B - Gasket Depth  
 C - PCB Locator

	DESIGNED	NN		SHEET NO : 01
	DRAWN	NN		NO. of SHEETS : 01
	CHECKED	KRK	MTL--PC CLEAR	SHEET SIZE : A4
General Tolerance DIN7168		PART NO:		SCALE
Over 0.5	3	6	30	120
To 3	6	30	120	400
±0.1	±0.1	±0.2	±0.3	±0.5
		PART NAME: 2BIN1 LED LENS PLATE		
		OPTICS AND ALLIED ENGG. PVT .LTD		