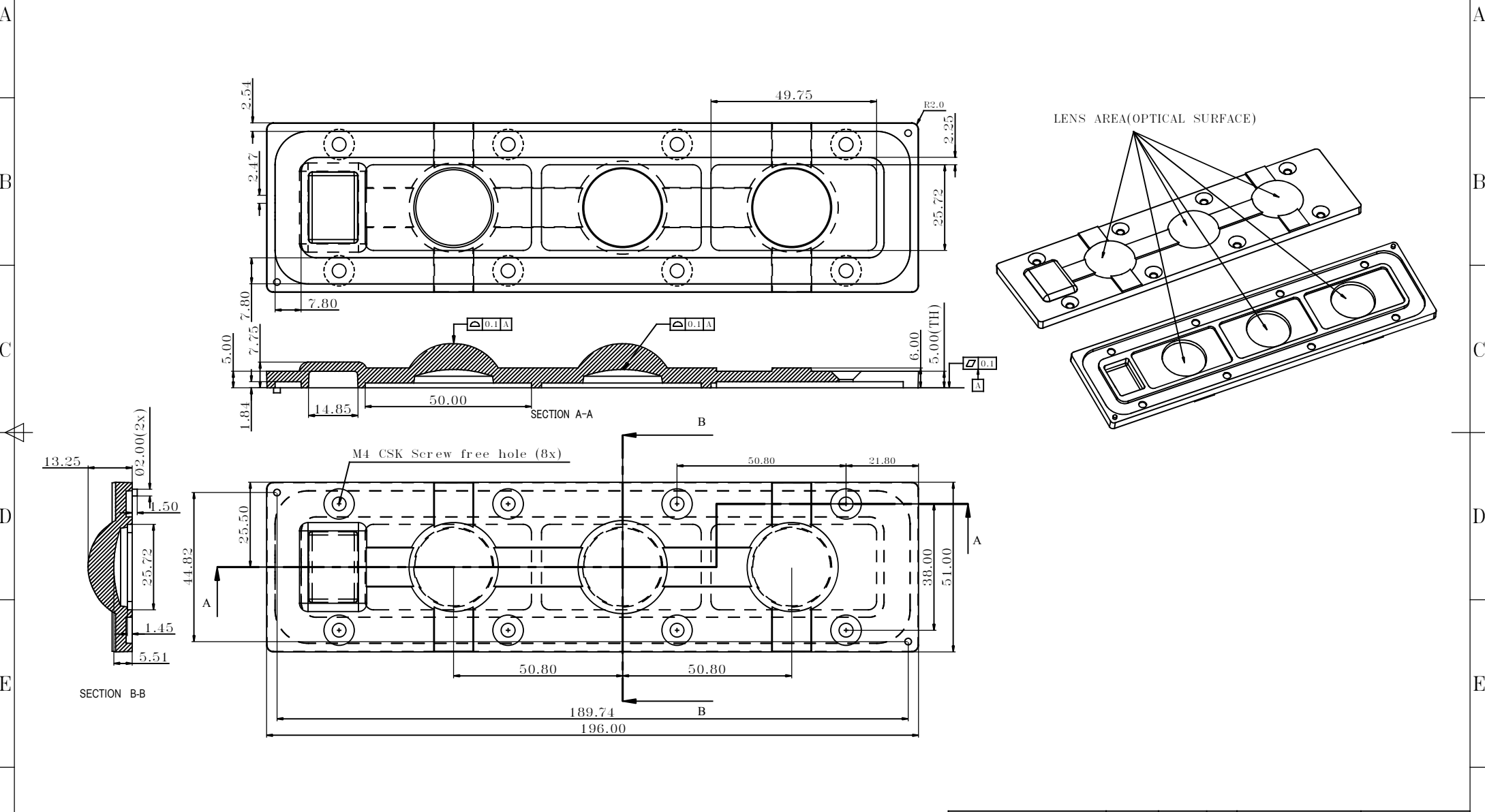


IF ANY DOUBT PLEASE ASK

Rev.No	REVISION DESCRIPTION	DATE	SIGN
A	NEW DRAWING	05/05/2016	KRK



NOTE:
ALL DIMENSIONS ARE IN MM
PERMISSIBLE FLASH ≥ 0.05 MM

	DESIGNED	NN		SHEET NO : 01
	DRAWN	BKS		NO. of SHEETS : 01
	CHECKED	KRK	MTL--PC CLEAR	SHEET SIZE : A4
General Tolerance DIN7168		PART NO:		SCALE
Over 0.5	3	6	30	120
To 3	6	30	120	400
±0.1	±0.1	±0.2	±0.3	±0.5
		PART NAME: 3 IN 1 LENS		
		OPTICS AND ALLIED ENGG. PVT .LTD		